



Parabolic antenna JRMA - 380 -10/11

Antenna JRMA – 380 – 10/11 is designed for microwave links at the frequency bands 10 and 11 GHz. Precise performance is complying with standard ETSI EN 302-217-4-2 class 2. Whole antenna system with bracket JDMW-900 has extreme wind stability.

Electrical parameters:

| | |
|----------------------------------|-----------------------------------|
| Frequency range | 10.1 – 11.7 GHz |
| Gain – Low band | 28.0 ± 0.5 dBi |
| Gain – High band | 29.0 ± 0.5 dBi |
| Beamwidth_{-3 dB} | 6° (low band) 5,2° (high band) |
| Return loss (VSWR) | ≥ 18 dB (≤ 1,3) |
| Polarization | Vertical / Horizontal |
| ETSI standard | EN 302-217-4-2 v1.5.1 Class 2 |

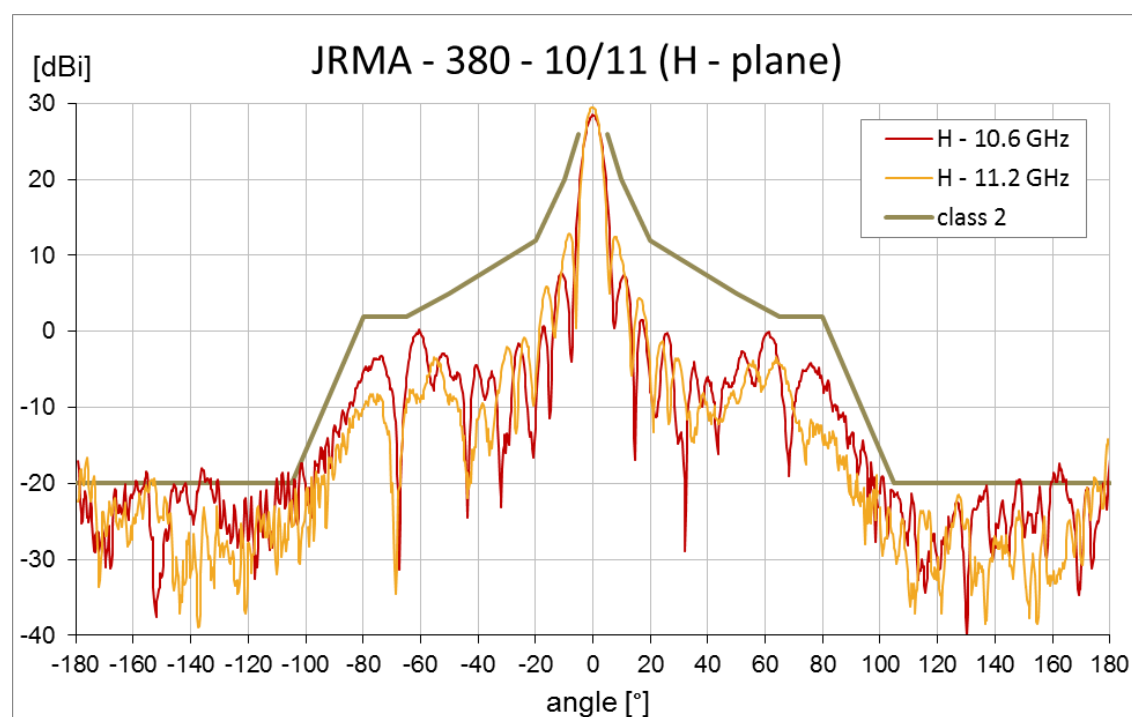
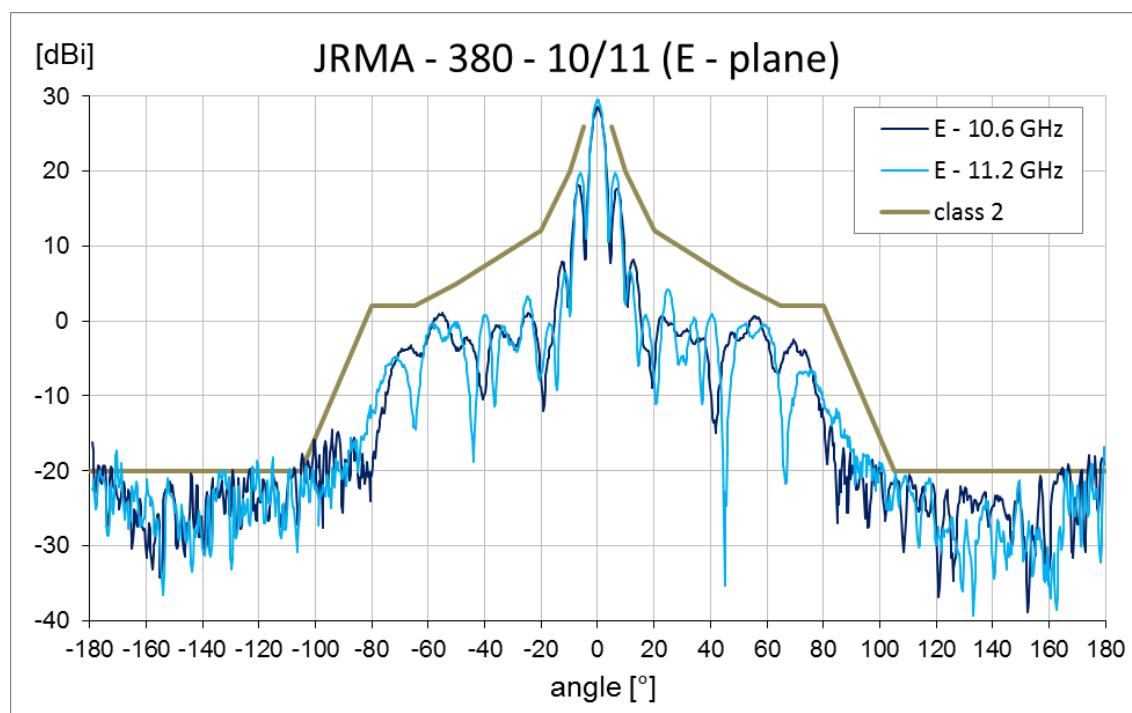
Mechanical parameters:

| | |
|------------------------------|---------------------------|
| Parabola | ∅ 380 mm, Aluminium alloy |
| Cover | UV steady plastic ABS |
| Input / output | Circle waveguide 19 mm |
| Installation for mast | ∅ 40 - 120 mm |
| Operating wind load | 180 km/h |
| Survival wind load | 240 km/h |
| Weight of antenna | 4.4 kg (9.7 lbs.) |
| of bracket | 3.5 kg (7.7 lbs.) |
| Shipping dimensions | 485 mm x 485 mm x 350 mm |

The antenna is supplied together with a bracket that allows easy mounting on a mast. Bracket can be installed separately on the mast. Subsequently, you can simply hang up the antenna with microwave unit into it. Bracket allows fine setting elevation (of gradient) and azimuth ± 20°. It is possible to mount to right and left side.

Parabolic antenna JRMA - 380 - 10/11

Measurements of radiation pattern:



Parabolic antenna JRMA - 380 -10/11

Outline:

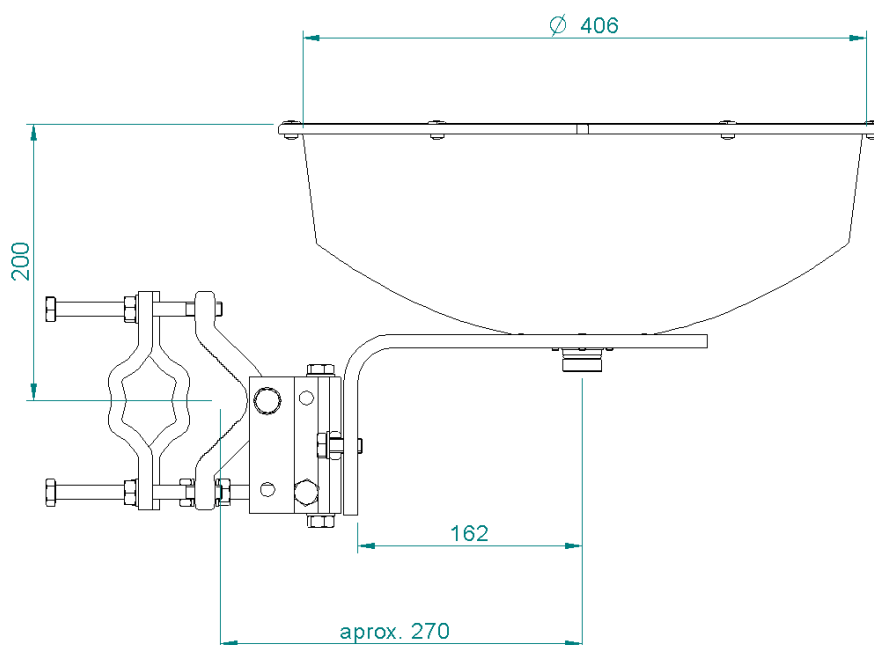


Fig. 1 Antenna dimensions

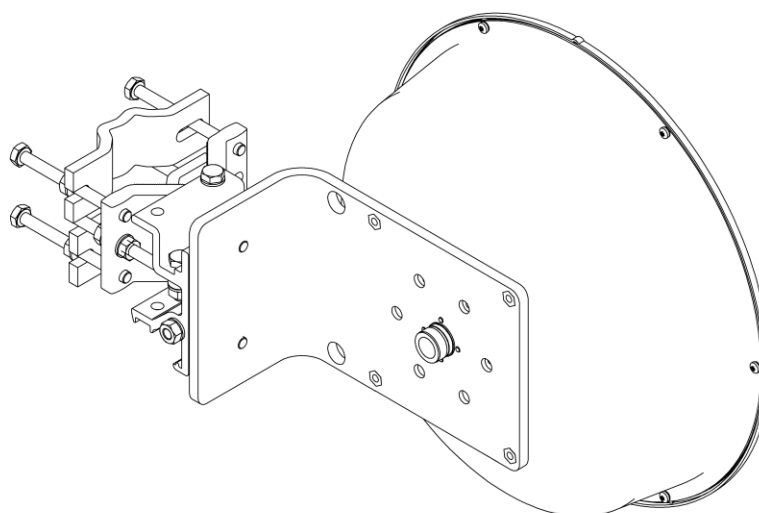


Fig. 2 Antenna with massive holder (back side)